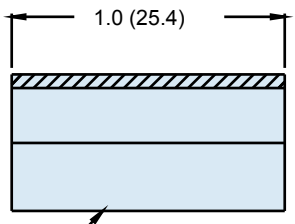
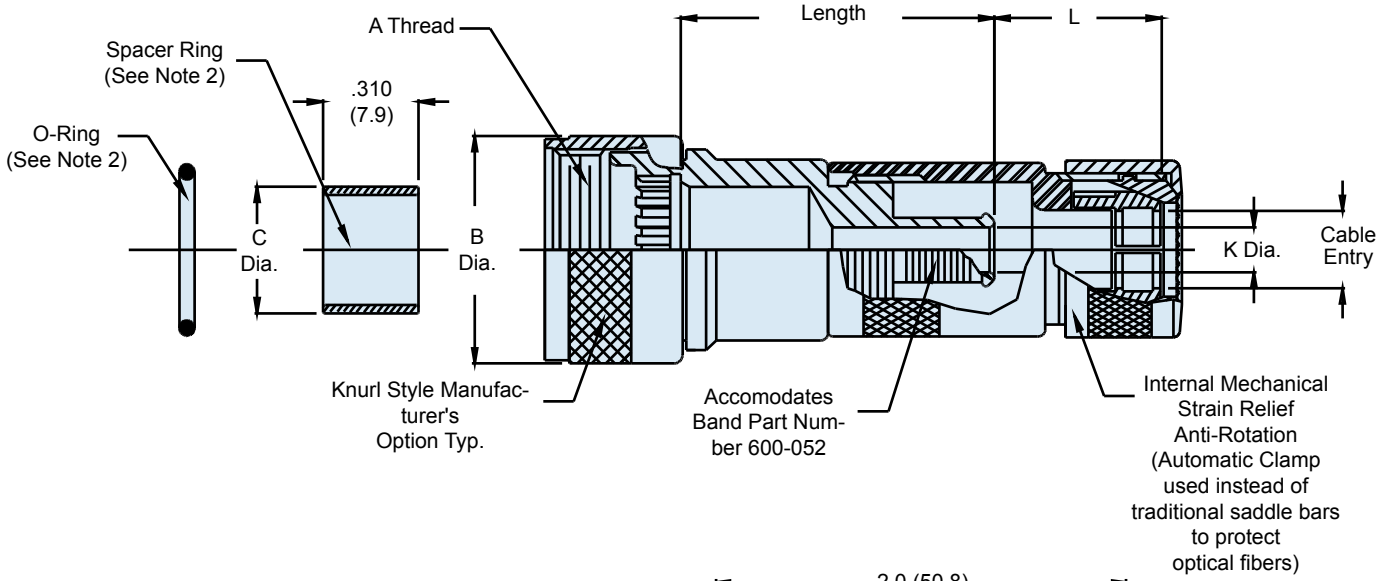




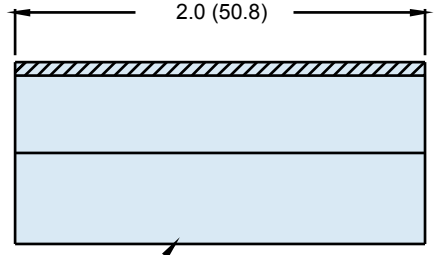
189-015
Environmental Banding Backshell
for Multichannel M85045 Shipboard Fiber Optic Cable
for Use with MIL-PRF-28876 or Glenair 180-040 Connectors

189-015 NF 13 05-3 B

Product Series	Band 600-052 Supplied (Omit if not required)
Basic Number	Length in 1/2-inch increments (e.g. 3 = 1.5 inches)
Finish Symbol (Table II)	Dash Number (Table III)
Shell Size (Table I)	



Shrink Sleeving MIL-I-23053/4
(See Note 3)



Shrink Sleeving MIL-I-23053/5
(See Note 3)

See Section J for the *Band-It*® Shield Termination Tooling used with this Banding Adapter

189-015

Environmental Banding Backshell
for Multichannel M85045 Shipboard Fiber Optic Cable
for Use with MIL-PRF-28876 or Glenair 180-040 Connectors



TABLE I: SHELL SIZE					
Shell Size	Designator (Ref)	A Thread Class 2B	B Dia Max	C Dia Max	Max Dash Number
11	A	3/4 -20 UNEF	1.028 (26.1)	.410 (10.4)	05
13	B	7/8 -20 UNEF	1.141 (29.0)	.532 (13.5)	05
15	C	1 -20 UNEF	1.263 (32.1)	.710 (18.0)	07
23	F	1-7/16 -18 UNEF	1.703 (43.3)	1.116 (28.3)	13

TABLE I: CABLE ENTRY AND SHRINK SLEEVE DASH NUMBER								
Dash No.	Clamp Size	Cable Size Maximum	K Diameter ±.005 (0.1)	L Max	Dash No. MIL-I-2305/4 Shrink Sleeve	Dash No. MIL-I-23053/5 Shrink Sleeve	Cable Entry	
							Minimum	Maximum
05	12	.280 (7.1)	.312 (7.9)	1.110 (28.2)	-203-0	-107-0	.203 (5.2)	.375 (9.5)
07	16	.395 (10.0)	.438 (11.1)	1.210 (30.7)	-204-0	-108-0	.328 (8.3)	.500 (12.7)
09	20	.510 (13.0)	.562 (14.3)	1.210 (30.7)	-204-0	-109-0	.452 (11.5)	.625 (15.9)
11	24	.621 (15.8)	.688 (17.5)	1.210 (30.7)	-205-0	-106-0	.515 (13.1)	.750 (19.1)
13	28	.736 (18.7)	.812 (20.6)	1.360 (34.5)	-205-0	-110-0	.640 (16.3)	.875 (22.2)

TABLE II: FINISH		
SYM	MATERIAL	FINISH
M	Aluminum	Electroless Nickel
NF	Aluminum	Cadmium O.D. Over Electroless Nickel (500-Hr. Salt Spray)

APPLICATION NOTES

- Material/ Finishes:
Adapter, Coupling Nut – Aluminum Alloy/See Table II
Clamp Components – Ryton R4XT-Black; Ultem 1000-Natural
Anti-Rotation Device – Torlon 4203L-Natural
O-Ring – Fluorosilicone/ N.A.
- Spacer Ring and O-Ring are packed loose and must be installed with connector at time of assembly. The Spacer is utilized to retain the Terminus Insert.
- MIL-I-23053/4 & 5 Shrink Sleeving are packed loose in a plastic bag. MIL-I-2305/4 Shrink Sleeving to be heat shrunk over rear of Adapter before MIL-I-23053/5 Shrink Sleeving.
- See Section J for the *Band-It*® Shield Termination tooling used with this banding procedure.
- Metric Dimensions (mm) are indicated in parentheses.